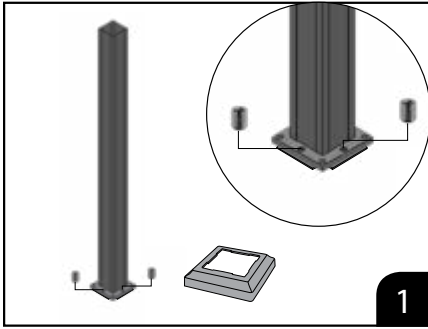




- ⚠ Remember to wear appropriate safety gear while assembling and installing!
- ⚠ Please consult your local building codes to determine acceptable post placement and railing height.
- ⚠ To ensure complete coverage by our warranty, go to www.keylinkfencing.com/downloads, complete and mail the warranty form to Key-Link Fencing & Railing, Inc., 150 Orlan Rd, New Holland PA 17557.
- ⚠ Applying any paint to this product will void your warranty, with the exception of touch-up paint sold by Keylink Fencing & Railing.

Step 1 Components:

- (1) Post w/Welded Plate
- (1) Leveling Plate
- (4) 3/8" x 1/2" Set Screws



Posts, plates, and post trim:

With your installation layout determined and post positions marked, place posts and mark screw locations (one in each corner of post).

Remove the post and using a masonry bit (for concrete) or a wood bit (for wood) drill a hole that is deeper than the length of the bolt.

Mounting hardware not included. Please consult your local Building Code Jurisdiction for acceptable anchor hardware and attachment methods.

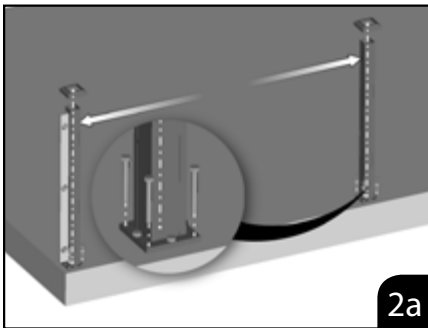
Position the posts on top of the leveling plates and in line with your predrilled holes then, partly tighten the concrete screws or wood screws until snug.

Thread the four leveling set screws into the post base and, using a level, adjust the leveling set screws with a 3/16" allen wrench until the post is plumb. Fully tighten the wood or concrete screws.

Install post trim and post caps.

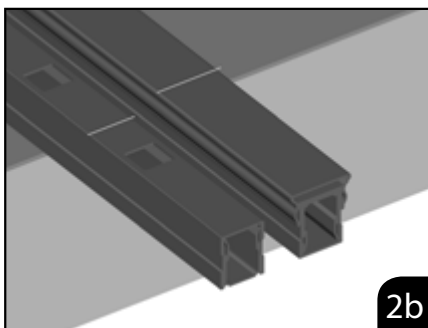
Steps 2a-2b Components:

- (1) Aluminum Top Rail
- (1) Aluminum Bottom Rail
- (2) Top Rail Bracket Kits [Mounting Brackets and Screws]
- (2) Bottom Rail Bracket Kits [Mounting Brackets and Screws]
- Enough Balusters to fill all routed holes [amount, style, and size will vary]



Measuring Rails (Level Sections):

With structural post set in place, measure distance between finished post sleeves. Deduct 1/4 in. from measurement.



Cutting Rails (Level Sections):

Next you will need to cut the Top & Bottom rails to length. If the posts are plumb, both rails should be the same lengths. Make certain to use the proper saw blade (see saw blade manufacturer's specs). Make sure saw table is clean after every cut.

Lay rails on a clean smooth surface to avoid scratching (cardboard, etc). Spindle spacing is routed so a 4 in. sphere can't pass through so make certain not to cut rail incorrectly (never cut rail end with exposed route). Make certain you have maximum spacing without exceeding 4" sphere rule!



- ⚠ Remember to wear appropriate safety gear while assembling and installing!
- ⚠ Please consult your local building codes to determine acceptable post placement and railing height.
- ⚠ To ensure complete coverage by our warranty, go to www.keylinkfencing.com/downloads, complete and mail the warranty form to Key-Link Fencing & Railing, Inc., 150 Orlan Rd, New Holland PA 17557.
- ⚠ Applying any paint to this product will void your warranty, with the exception of touch-up paint sold by Keylink Fencing & Railing.

Steps 3a-3b Components:

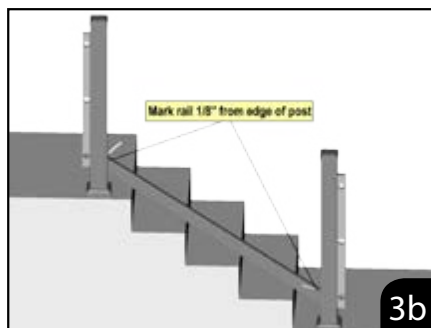
- (1) Aluminum Top Rail
- (1) Aluminum Bottom Rail
- (2) Top Rail Bracket Kits [Mounting Brackets and Screws]
- (2) Bottom Rail Bracket Kits [Mounting Brackets and Screws]
- Enough Balusters to fill all routed holes [amount, style, and size will vary]



3a

Measuring Rails (Step Sections):

With Structural Post set in place, measure distance between finished post sleeves. Deduct 1/4 in. from measurement.



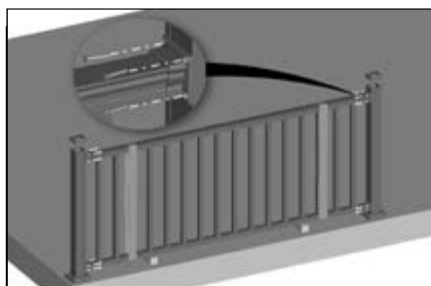
3b

Cutting Rails (Step Sections):

Make certain post & mounting surfaces are plumb.

Rest bottom rail with routed holes facing up on the nosing of the deck and stair tread. Maintain equal and maximum spindle spacing on both ends. Do not exceed 4" or greater opening between spindle and rail end.

Mark the top and bottom of the rail where it intersects with the post. Deduct 1/8 in. from each end. (Cut on a clean, nonabrasive surface. See manufacturer's specs for proper blade). Repeat process & cut top rail to match length & spindle spacing.



4

Final Assembly (Level and Step Sections):

With top and bottom rails cut to length, set bottom rail on a smooth non-abrasive surface. Insert spindles in holes located in top of bottom rail.

With all spindles inserted in bottom rail, insert spindles in corresponding holes located in bottom of top rail. For ease of installation you may assemble the rail flat or standing up.

With all spindles inserted in top & bottom rails, wrap two support straps around the top & bottom rails to hold the assembly together. Next slide mounting brackets (mounting flange towards post) on ends of top and bottom rails.

With rail section assembled, determine the distance from finish deck to bottom of rail (2-1/2" min). Cut two blocks at the proper height and set on the finish deck surface 12 inches in from post. Set assembled rail section in between post and resting on spacer blocks.

Slide mounting brackets against post. Center Top Mounting Bracket on post and screw in place through holes provided in bracket with the provided **flathead screws**. Repeat above process for Bottom Rail.

With brackets mounted to post, remove straps, spacer blocks and measure the distance from spindle to post both top and bottom. Adjust if necessary to ensure distance is equal on both sides of section.

Fasten rails to brackets with **panhead screws**.